

Technical Specifications - Natural Gas

Injector Marking: 700, Efficiency class: 2, NOx: Unclassified

Destination Country	Natural Gas	Supply pressure (mbar)	Burner pressure (mbar)	Nominal heat input (Hs;kW)	Gas flow rate (m³/h)	Classification
AT	G20 I2H	20	14,6	9,1	0,854	C ₁₁ / C ₃₁
BE	G20/G25 I2E+	20/25	14,6 / 18,2	9,1 / 8,3	0,854 / 0,906	C ₁₁ / C ₃₁
CH	G20 I2H	20	14,6	9,1	0,854	C ₁₁ / C ₃₁
DE	G20/G25 I2ELL	20	14,6	9,1 / 7,3	0,854 / 0,803	C ₁₁ / C ₃₁
DK	G20 I2H	20	14,6	9,1	0,854	C ₁₁ / C ₃₁
EE	G20 I2H	20	14,6	9,1	0,854	C ₁₁ / C ₃₁
ES	G20 I2H	20	14,6	9,1	0,854	C ₁₁ / C ₃₁
FI	G20 I2H	20	14,6	9,1	0,854	C ₁₁ / C ₃₁
FR	G20/G25 I2E+	20/25	14,6 / 18,2	9,1 / 8,3	0,854 / 0,906	C ₁₁ / C ₃₁
GB	G20 I2H	20	14,6	9,1	0,854	C ₁₁ / C ₃₁
GR	G20 I2H	20	14,6	9,1	0,854	C ₁₁ / C ₃₁
IE	G20 I2H	20	14,6	9,1	0,854	C ₁₁ / C ₃₁
IT	G20 I2H	20	14,6	9,1	0,854	C ₁₁ / C ₃₁
LT	G20 I2H	25	14,6	9,1	0,854	C ₁₁ / C ₃₁
LU	G20 I2E	20	14,6	9,1	0,854	C ₁₁ / C ₃₁
LV	G20 I2H	20	14,6	9,1	0,854	C ₁₁ / C ₃₁
NL	G20 I2L	20	18,2	8,3	0,854	C ₁₁ / C ₃₁
NO	G20 I2H	20	14,6	9,1	0,854	C ₁₁ / C ₃₁
PL	G20 I2E	20	14,6	9,1	0,854	C ₁₁ / C ₃₁
PT	G20 I2H	20	14,6	9,1	0,854	C ₁₁ / C ₃₁
SE	G20 I2H	20	14,6	9,1	0,854	C ₁₁ / C ₃₁
SL	G20 I2H	20	14,6	9,1	0,854	C ₁₁ / C ₃₁
SK	G20 I2H	20	14,6	9,1	0,854	C ₁₁ / C ₃₁
TR	G20 I2H	20	14,6	9,1	0,854	C ₁₁ / C ₃₁

Technical Specifications - Propane Gas

Injector Marking: 220, Efficiency class: 2, NOx: Unclassified

Destination Country	Propane Gas	Supply pressure (mbar)	Burner pressure (mbar)	Nominal heat input (Hs;kW)	Gas flow rate (m ³ /h)	Classification
AT	G31 I3P	50*	29,0*	6,7	0,4	C ₁₁ / C ₃₁
BE	G31 I3P	37*	29,0*	6,7	0,4	C ₁₁ / C ₃₁
CH	G31 I3P	37*	29,0*	6,7	0,4	C ₁₁ / C ₃₁
CZ	G31 I3P	30*/37*/50*	29,0*	6,7	0,4	C ₁₁ / C ₃₁
DE	G31 I3P	50*	29,0*	6,7	0,4	C ₁₁ / C ₃₁
ES	G31 I3P	37*	29,0*	6,7	0,4	C ₁₁ / C ₃₁
FR	G31 I3P	37*	29,0*	6,7	0,4	C ₁₁ / C ₃₁
GB	G31 I3P	37*	29,0*	6,7	0,4	C ₁₁ / C ₃₁
GR	G31 I3P	30*/37*/50*	29,0*	6,7	0,4	C ₁₁ / C ₃₁
IE	G31 I3P	37*	29,0*	6,7	0,4	C ₁₁ / C ₃₁
IT	G31 I3P	37*	29,0*	6,7	0,4	C ₁₁ / C ₃₁
LT	G31 I3P	30*	29,0*	6,7	0,4	C ₁₁ / C ₃₁
NL	G31 I3P	30*/50*	29,0*	6,7	0,4	C ₁₁ / C ₃₁
PL	G31 I3P	36*	29,0*	6,7	0,4	C ₁₁ / C ₃₁
PT	G31 I3P	37*	29,0*	6,7	0,4	C ₁₁ / C ₃₁
SL	G31 I3P	37*	29,0*	6,7	0,4	C ₁₁ / C ₃₁
SK	G31 I3P	30*/37*/50*	29,0*	6,7	0,4	C ₁₁ / C ₃₁
TR	G31 I3P	37*	29,0*	6,7	0,4	C ₁₁ / C ₃₁

*Please note: for propane gas operation, the burner pressure has to be adjusted to the local conditions and requirements. The burner pressure is preset for a supply pressure of 30 mbar.

Technical Specifications - Dimensions

Stove **Luno Gas BF**, certified in compliance with **EG Guideline**

90/396/EWG and DIN EN 613 (2000)

Product ID number: CE-0063BR5705

Construction Type: C₁₁; C₃₁

Combustion Values:

Nominal Thermal Output (Natural Gas, Hs)	6.9 kW
Nominal Heat Load (Natural Gas, Hs)	9.1 kW
Nominal Heat Load (Natural Gas, Hi)	8.2 kW
Nominal Thermal Output (Propane, Hs)	5.0 kW
Nominal Heat Load (Propane, Hs)	6.7 kW
Nominal Heat Load (Propane, Hi)	6.0 kW

Dimensions:

	Height	Width	Depth
Stove	116 cm	51 cm	45 cm

	Tile	Soapstone
Weight	96 kg	100 kg

Connection Dimensions:

Approved flue gas system: ONTOP Metaloterm Serie US Ø 100/150

Flue Pipe Connection Height: 117 cm

Gas Connection Height: 19,5 cm

Distance from back wall of stove to flue pipe centre: 12,5 cm

Distance from back wall of stove to the wall (Fixation to wall): 20 - 30,5 cm

Gas connection: Ø 8, 12 mm compression

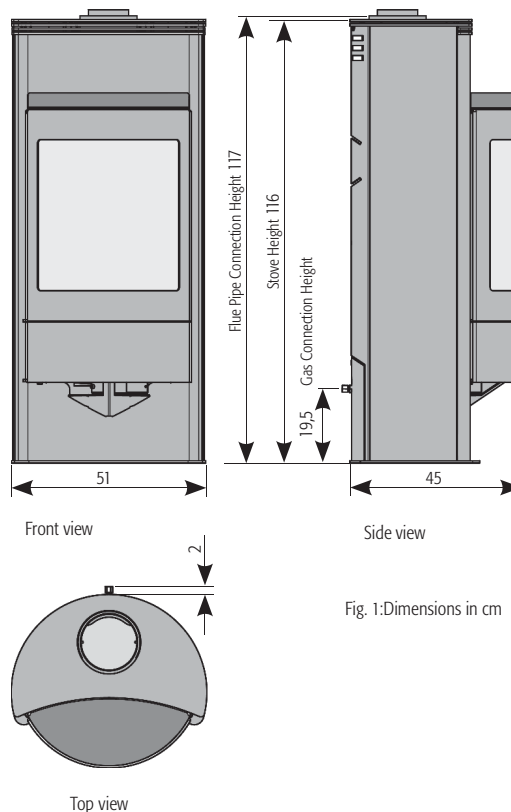


Fig. 1:Dimensions in cm

2. Installation

2.1 General Fitting Information

Inlet pipe connection	8 mm, 12mm compression
Chimney requirements	Balanced Flue
Flue monitor	Permanent Pilot
NOx - Level	see technical specifications at beginning of manual
Approved flue gas system	Metaloterm Ontop Serie US Ø 100/150

Before installation of these appliances, the area into which the fire is to be fitted must be cleared of all debris (including dust), in particular combustible material.

Failure to comply with the instructions in this manual, or the regulations and standards could have hazardous consequences.



2.2 Stove Location

These appliances are designed with the "Firebox" raised up off the ground level by the built in "Base unit".

Thus these appliances require no special Hearth arrangements, as the floor will not get hot and is protected by the steel construction of the "Base unit".

If the appliance has to be located in an opening, a minimum clearance of 5 cm should be allowed to non-combustible materials.

The stove must be located at least 30 cm from any combustible materials.

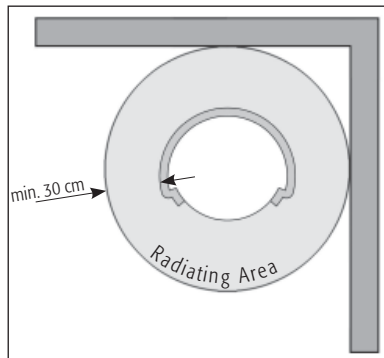


Fig. 2

2.3 Inserting / Replacing Batteries

An audible signal (three short beeps) indicates that the batteries need to be replaced.

To insert or replace the batteries of the receiver, remove the lock screw and pull out the receiver (see Figure 3, 4). Open the battery compartment cover and insert the batteries, then push the receiver back in and secure it with the lock screw.

Battery type

Receiver: 4x AA, R6 size. Alkaline only

Transmitter: PP3 (Alkaline only).

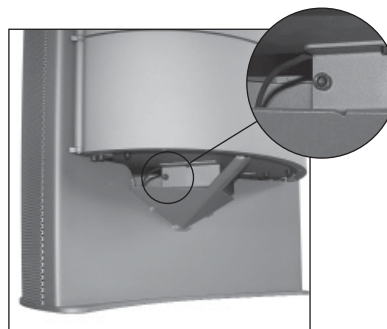


Fig. 3

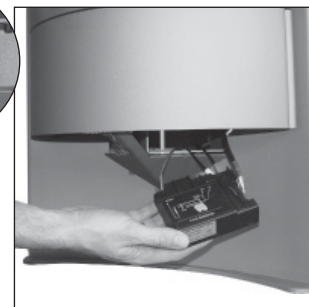


Fig. 4